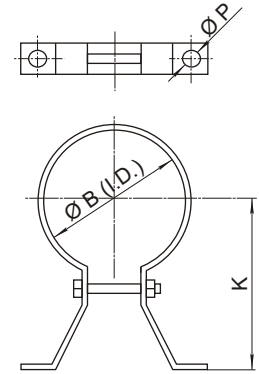
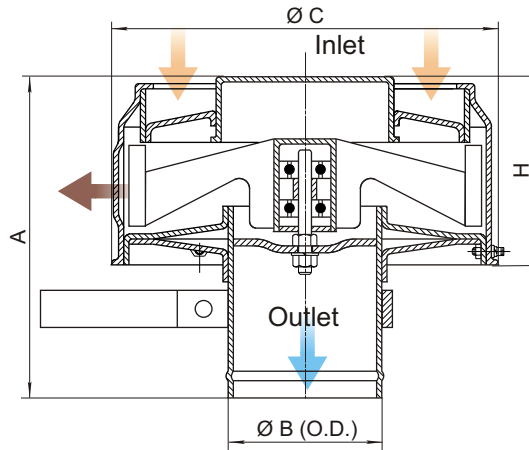
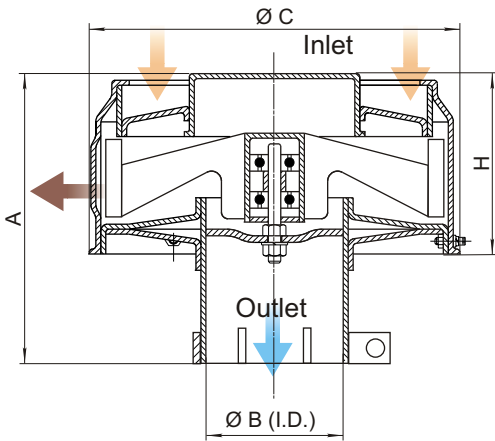


1 For metal ducting connection

2 For flexible hose connection



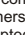
Mounting Band

 IMPURE AIR
  CLEAN AIR
  IMPURITIES

| MODEL | Airflow Range | Horsepower Range | Weight | | | | | | |
|-----------|------------------------------------------------------|----------------------------------|-----------------------|--------------------|-------------------|----------------------------------------|--------------------|-------------------|-----------------|
| | | | | A | H | Ø B | Ø C | K | Ø P |
| 1 PB 006 | 1.5 to 4.0 m ³ /min (53 to 141 CFM) | 30 to 60 HP (22 to 45 KW) | 0.80 kg (1.75 lbs) | 116 mm (4.57") | 85 mm (3.35") | 63 mm 2.5" (I.D.) | 142 mm (5.59") | --- | --- |
| 2 PB 006E | 1.5 to 4.0 m ³ /min (53 to 141 CFM) | 30 to 60 HP (22 to 45 KW) | 1.10 kg (2.40 lbs) | 145 mm (5.71") | 85 mm (3.35") | 63 mm 2.5" (O.D.) | 142 mm (5.59") | 145 mm (5.71") | 9 mm (0.35") |
| 1 PB007 | 4.0 to 5.0 m ³ /min (141 to 176 CFM) | 60 to 70 HP (45 to 52 KW) | 1.30 kg (2.86 lbs) | 167 mm (6.57") | 104 mm (4.09") | 76; 70 mm 3; 2.75" (I.D.) | 179 mm (7.05") | --- | --- |
| 2 PB007E | 4.0 to 5.0 m ³ /min (141 to 176 CFM) | 60 to 70 HP (45 to 52 KW) | 1.40 kg (3.08 lbs) | 168 mm (6.61") | 104 mm (4.09") | 76; 70; 63 mm 3; 2.75; 2.5" (O.D.) | 179 mm (7.05") | 116 mm (4.57") | 9 mm (0.35") |
| 1 PP 021 | 5.0 to 8.0 m ³ /min (176 to 282 CFM) | 70 to 100 HP (52 to 75 KW) | 1.60 kg (3.52 lbs) | 148 mm (5.83") | 100 mm (3.94") | 102; 89; 82 mm 4; 3.5; 3.25" (I.D.) | 200 mm (7.87") | --- | --- |
| 2 PP021E | 5.0 to 8.0 m ³ /min (176 to 282 CFM) | 70 to 100 HP (52 to 75 KW) | 1.85 kg (4.07 lbs) | 170 mm (6.69") | 100 mm (3.94") | 82; 76 mm 3.25; 3" (O.D.) | 200 mm (7.87") | 140 mm (5.51") | 9 mm (0.35") |
| 1 PP041 | 8.0 to 12.0 m ³ /min (282 to 423 CFM) | 100 to 140 HP (75 to 104 KW) | 1.95 kg (4.30 lbs) | 180 mm (7.09") | 112 mm (4.40") | 102 mm 4" (I.D.) | 225 mm (8.86") | --- | --- |
| 2 PP041E | 8.0 to 12.0 m ³ /min (282 to 423 CFM) | 100 to 140 HP (75 to 104 KW) | 2.20 kg (4.85 lbs) | 187 mm (7.36") | 112 mm (4.40") | 102 mm 4" (O.D.) | 225 mm (8.86") | 140 mm (5.51") | 9 mm (0.35") |
| 1 PP061 | 12.0 to 18.0 m ³ /min (423 to 635 CFM) | 140 to 200 HP (104 to 150 KW) | 2.25 kg (4.95 lbs) | 192 mm (7.56") | 122 mm (4.80") | 133; 102 mm 5.25; 4" (I.D.) | 239 mm (9.41") | --- | --- |
| 2 PP061E | 12.0 to 18.0 m ³ /min (423 to 635 CFM) | 140 to 200 HP (104 to 150 KW) | 2.60 kg (5.70 lbs) | 202 mm (7.95") | 122 mm (4.80") | 133; 102 mm 5.25; 4" (O.D.) | 239 mm (9.41") | 140 mm (5.51") | 9 mm (0.35") |
| 1 PP091 | 18.0 to 21.0 m ³ /min (635 to 741 CFM) | 200 to 300 HP (149 to 224 KW) | 3.00 kg (6.60 lbs) | 212 mm (8.35") | 138 mm (5.43") | 133; 114 mm 5.25; 4.5" (I.D.) | 280 mm (11.02") | --- | --- |
| 2 PP091E | 18.0 to 21.0 m ³ /min (635 to 741 CFM) | 200 to 300 HP (149 to 224 KW) | 3.50 kg (7.71 lbs) | 228 mm (8.98") | 138 mm (5.43") | 133 mm 5.25" (O.D.) | 280 mm (11.02") | 140 mm (5.51") | 9 mm (0.35") |
| 1 PP131 | 21.0 to 28.0 m ³ /min (741 to 988 CFM) | 300 to 350 HP (224 to 261 KW) | 3.30 kg (7.25 lbs) | 256 mm (10.08") | 156 mm (6.14") | 152; 133 mm 6; 5.25" (I.D.) | 331 mm (13.03") | --- | --- |

Oblan s.a. has the right to modify the information contained in this brochure without its previous advise.

Notes:

- 1) In normally aspirated engines the model selection by horsepower range is just a recommendation.
- 2) In turbocharged or turbo-aftercooled engines the correct model selection is based on the maximum air flow.
- 3) For particular applications you have a complete line of installation accessories.
- 4) For metal ducting connection Pre-cleaners , the diameters ØB (Outlet Size) are the standard inside diameters. From these the outlet tube can be adapted with reducing sleeves for a variety of smaller outlet choices. These sleeves are provided from Ø 7" to Ø 2.5" generally in 1/4" or 1/2" steps.



e'quatre